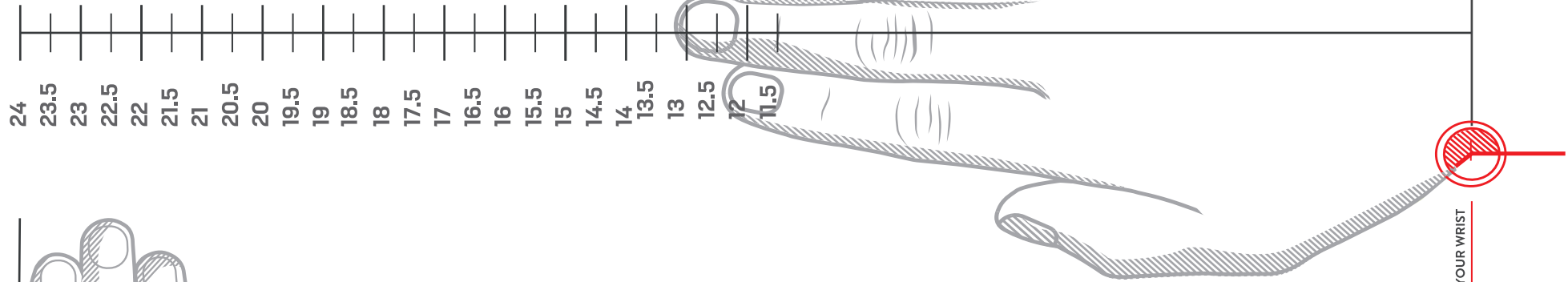




# SCOTT\_Gloves size measurement

Winter, Bike, Motorsports

## HAND'S LENGTH



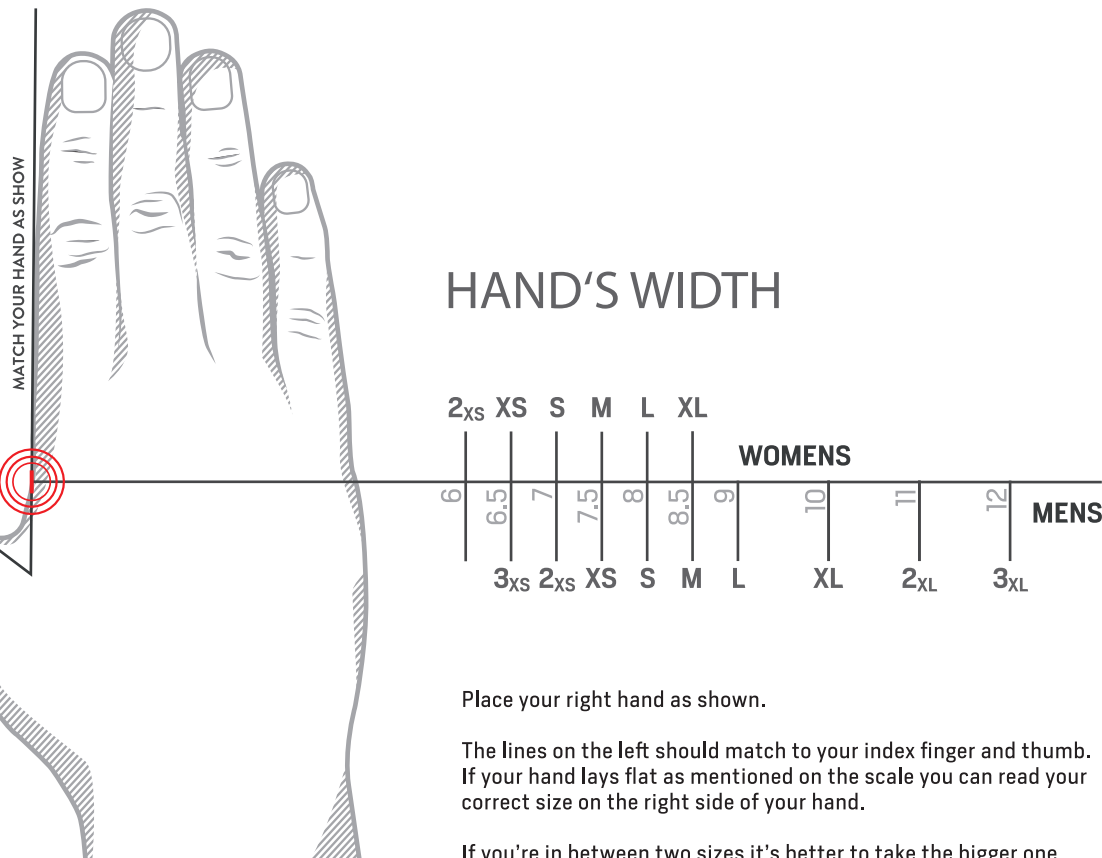
Place your right hand as shown on the scale.

Position your wrist, on the thumb side, to find the correct position. The number indicated above your middle finger hash marks reveal the length of your fingers.

If your finger is in between the hash marks you should choose based on the width of your hand. The main size is the width of your hand, but if your hand is considerably longer it is best to choose the larger size.

MATCH THE EDGE OF YOUR WRIST

## HAND'S WIDTH



Place your right hand as shown.

The lines on the left should match to your index finger and thumb. If your hand lays flat as mentioned on the scale you can read your correct size on the right side of your hand.

If you're in between two sizes it's better to take the bigger one.

SCALE 1:1

5cm · 1,97 inch

On your print this should be 5cm